



**Model: ATD-7461A**  
**Capacity: 1500 LBS.**

**Operating Instructions and Parts Manual**

**ATD 1500 lbs. Motorcycle/ATV Jack**



**Motorcycle/ATV Jack Model Number: ATD-7461A**

Capacity	Min Height	Max Height	Jack Size (L x W x H)	Net Weight
1500 lbs.	5-3/8"	16-7/8"	33" x 16-1/2" x 13-3/8"	68.2 lbs.

**Contents:**

- Page: 1. - Specifications
- 2. - Safety and Warning Information
- 3. - Setup, Operation and Preventive Maintenance
- 4. - Setup, Operation and Preventive Maintenance Continued
- 5. - Inspection, Storage and Troubleshooting
- 6. - Exploded View and Replaceable Part Numbers
- 7. - Warranty Information
- 8. - Preventive Maintenance Log

**! WARNING !**

**WARNING:** This product may contain chemicals, including lead, known to the State of California to cause cancer, birth defects or other reproductive harm. *Wash hands after handling.*

Made in China to ATD Tools, Inc. Specifications  
Visit us at [www.atdtools.com](http://www.atdtools.com)

ATD7461A\_rev\_0417



**Model: ATD-7461A**  
**Capacity: 1500 LBS.**

## SAFETY & WARNING INFORMATION



This is the safety notification symbol. This symbol will notify you of any potential injury hazards. Please follow all instructions that follow this symbol to avoid possible injuries or death.



Indicates a hazardous situation. If proper steps are not followed, death or serious injury could result.



### IMPORTANT: READ ALL INSTRUCTIONS BEFORE USE

Before operating this device, be sure to read all content within this manual, ensuring that you understand the operating procedures, maintenance requirements and all safety warnings.

The owner and/or operator shall have an understanding of the product, its operating characteristics, and safety operating instructions before operating this device. Safety information shall be emphasized and understood. If the operator is not fluent in English, the product and safety instructions shall be read to and discussed with the operator in the operator's native language by the purchaser/owner or his designee, making sure that the operator comprehends their contents.



### Actions to help prevent dangerous situations

- Study, understand, and follow all instructions before operating this device.
- Do not exceed the rated capacity stated.
- Use only on hard level surfaces.
- Center load on lift platform.
- Lift only in areas specified by the automotive manufacture.
- Immediately after lifting load, ensure lift mechanical load holding means is engaged.
- Before moving, lower the load to the lowest possible point.
- Secure load with appropriate restraint device.
- Use of this product is limited to lifting, lowering, transporting and storing in the lower position. Loads consisting of a single motor vehicle whose lift point are compatible with the lift platform. Incompatibility is evident when the loaded vehicle wobbles, appears unstable, and/or does not securely engage the lift platform.
- Restraining an incompatible load will not make the load secure and may cause injury.
- Never work on, under or around a load that is not secured and stable.
- Keep all limbs away from any moving parts while lifting and lowering with this device.
- Failure to heed these markings may result in serious personal injury and/or property damage.



**Model: ATD-7461A**  
**Capacity: 1500 LBS.**

## SETUP, OPERATION & PREVENTIVE MAINTENANCE



### Setup

- Prior to each use, visual inspection (See Pg. 5) shall be made to the device by checking for abnormal conditions, such as cracked welds, leaks, and damaged, loose, or missing parts.
- Consult the vehicle owner's manual to determine the location of lift points.



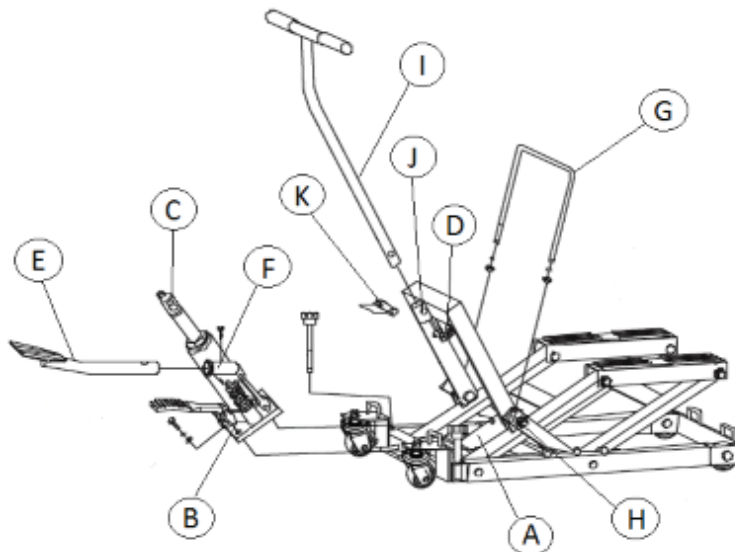
### Assembly (See Image Below)

- Remove the hex bolts, lock washers and washers on the power unit base plate (A), and then put the power unit (B) on the base. Tighten the hex bolt, lock washer and washer until tight.
- Insert the link rod (C) into the rod tank (D). Then tighten the safety bolt.
- Insert the foot pedal (E) into the foot pedal sleeve (F) and tighten the hex bolt, locking it into place.
- Unscrew the nut and lock washer on the safety link rod (G). Insert the safety link rod into the link rod holders (H). Retighten the nuts and lock washers.
- Assemble the handle (I) and insert into the handle sleeve (J), insert handle locking pin (K).



### Lifting

- Always start by finding the center of the weight load.
- Place the jack under the item to be raised and ensure that the saddle is positioned under the center of the weight load.
- Always check the position of the load before continuing to lift.
- Use the foot pedal to raise the lift arm up until the saddle reaches the contact point of the item being lifted. Once there, lock the rear caster wheels before continuing to lift.
- Continue to lift the load, ensuring that the safety lock has engaged in one of the three lock positions once desired height is reached.
- Periodically check that the load is still centered while work is being performed. Failure to ensure this could result in loss of load and possible injury or death.





**Model: ATD-7461A**  
**Capacity: 1500 LBS.**

## SETUP, OPERATION & PREVENTIVE MAINTENANCE (Cont.)



### Lowering

- Raise the jack slightly and pull back on the safety link rod, disengaging the safety lock.
- Ensure the entire working area is clear of persons and limbs.
- Press the release pedal slowly with your foot to allow for a controlled decent.



### Maintenance

**NOTICE:** Before performing any service in this jack, the power unit should be removed from the base plate and placed on a level surface. Use high grade hydraulic oil only. Never use brake fluid, motor oil, transmission fluid, turbine oil or any other fluids. ISO-VG22 such as Mobil DTE-10 or equivalent hydraulic oil is recommended.

### Check and Refill Oil

- With the jack in the fully lowered, level position, remove oil filler plug.
- Proper oil level should be 1/4" below the oil filler plug hole.
- Do not overfill. Always fill with new, clean hydraulic jack oil as recommended above.
- Reinstall oil filler plug, then reinstall unit cover.

### Lubrication and Cleaning

- Clean and lubricate all moving parts and pivot points every 3 months.

### Air Venting Procedures

- With the power unit in the fully retracted position, remove oil filler plug.
- Pump the foot pedal rapidly several times. Ensure proper oil level and reinstall oil filler plug.
- Test power unit function and repeat above steps until trapped air is completely vented.

### Alterations

Because of potential hazards associated with this type of equipment, no alterations shall be made to the product.

### Attachments and Adapters

Only attachments and/or adapters supplied by the manufacturer shall be used.



**Model: ATD-7461A**  
**Capacity: 1500 LBS.**

## INSPECTION, STORAGE & TROUBLESHOOTING



### Inspection

- Visual inspection shall be made before each use of the device by checking for abnormal conditions, such as cracked welds, leaks, and damaged, loose, or missing parts.
- Other inspections shall be made per product operating instructions.
- These devices shall be inspected immediately if the device is believed to have been subjected to an abnormal load or shock. It is recommended that this inspection be made by a manufacturer's or supplier's authorized repair facility.
- Owners and/or operators should be aware that repair of this jack may require specialized knowledge and facilities. It is recommended that an annual inspection of the product be made by a manufacturer's or supplier's authorized repair facility and that any defective parts, decals, or safety labels or signs be replaced with manufacturers or supplier's specified parts.



### Storage

The Motorcycle/ ATV Jack should be stored in a dry location on a level surface with the unit retracted to its lowest position.

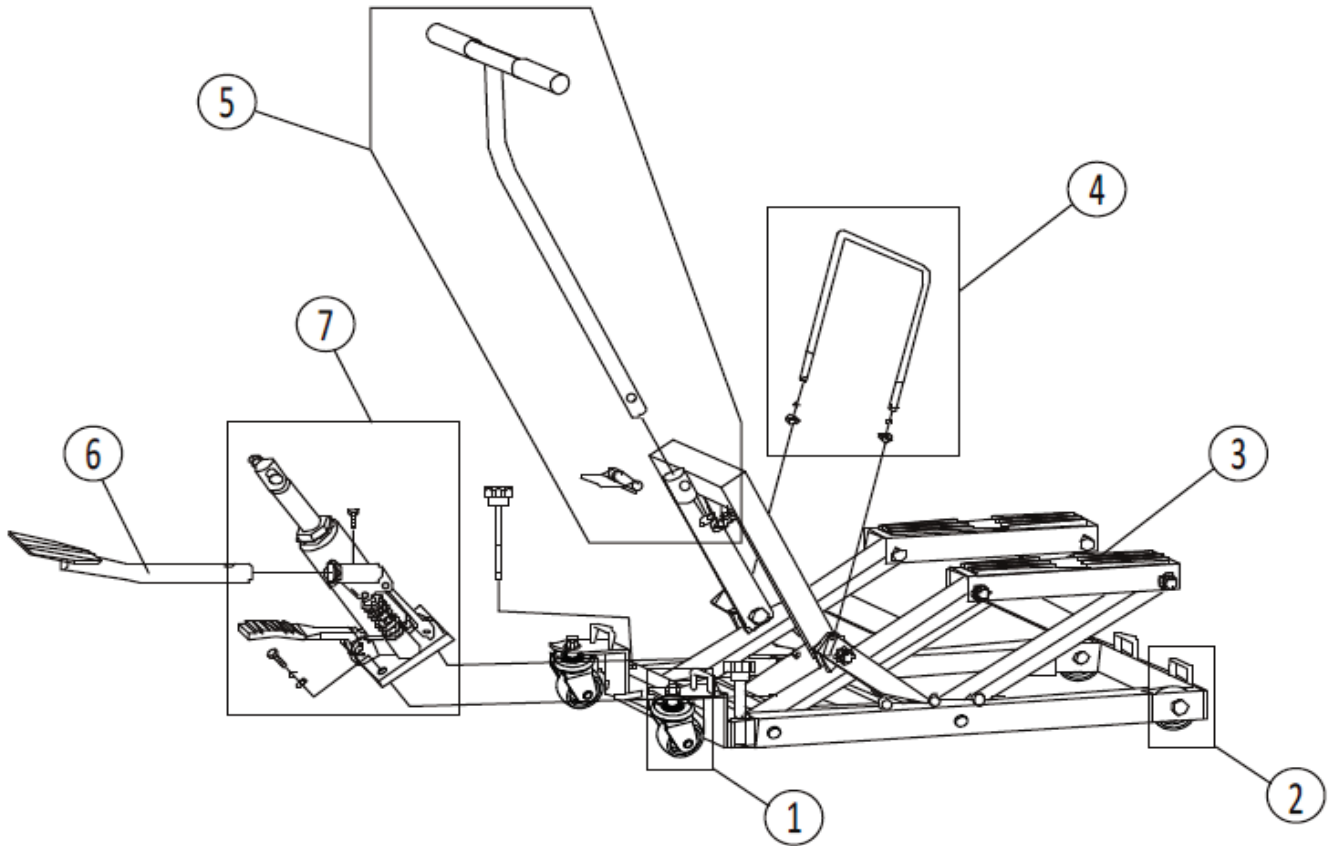
### Troubleshooting

Symptom	Possible Causes	Solution
<b>Jack will not lift the load.</b>	1. Release valve not tightly closed. 2. Low oil level. 3. Defective or worn internal parts. 4. Load exceeds maximum allowance.	1. Engage release pedal multiple times to reseal the release valve. 2. Check and add oil. Follow "Check and Refill Oil" instructions on Pg.4. 3. Discontinue use and contact a local repair center. 4. Use a higher capacity jack.
<b>Jack will not hold the load.</b>	1. Release valve not tightly closed. 2. Power unit malfunction.	1. Engage release pedal multiple times to reseal the release valve. 2. Discontinue use and contact a local repair center.
<b>Jack will not descend to minimum height, or will not remain in lowered position.</b>	1. Air trapped in system. 2. Reservoir oil overfilled.	1. Vent air out of system. Follow "Air Venting Procedures" above. 2. Check and ensure proper oil level. Follow "Check and Refill Oil" instruction on Pg.4.
<b>Jack will not lift to max height.</b>	1. Low oil level.	1. Check and ensure proper oil level. Follow "Check and Refill Oil" instructions above.
<b>Jack will not function properly after tried solution.</b>	1. Internal malfunction or structural damage.	1. Stop usage and contact an authorized repair center.



**Model: ATD-7461A**  
**Capacity: 1500 LBS.**

**EXPLODED VIEW & REPLACEABLE PART NUMBERS**



Item	Part Number*	Description	Q'ty
1	MT.H-100	Caster Assembly	2
2	LYD2.4-6	Front Wheel Assembly	2
3	MT.A.2-3B	Rubber Contact Pads	2
4	MT.H-200	Safety Handle Assembly	1
5	MT.H-300	Handle w/ Locking Pin & Screw	1
6	MT.H-500	Foot Pedal Assembly	1
7	MT.H-400	Complete Power Unit	1
N/A	ATD7461A-L	Product Labels	2

\* Items not identified by part number are not available for replacement.



**Model: ATD-7461A**  
**Capacity: 1500 LBS.**

## **WARRANTY INFORMATION**

### **ONE YEAR LIMITED WARRANTY**

For a period of one (1) year from your purchase date, ATD Tools, Inc. will repair or replace (at its option) without charge, your ATD product if it was purchased new and the product has failed due to a defect in material or workmanship which you experienced during normal use of the product. This limited warranty is your exclusive remedy.

To access the benefits of this warranty, contact the ATD Tools repair center, TSA Hydraulics, at 1-844-364-9922 for confirmation that this warranty applies. Thereafter, you may be advised to return the product under warranty, freight prepaid, to the ATD service department.

If this ATD product is altered, abused, misused, modified, or undergoes service by an unauthorized technician, your warranty will be void. We are not responsible for damage to ornamental designs you place on this ATD product and such ornamentation should not cover any warnings or instructions or they may void the warranty. This warranty does not cover scratches, superficial dents, and other abrasions to the paint finish that occur under normal use.

Subject to the law in your state:

- (1) Your sole and exclusive remedy is repair or replacement of the defective product as described above.
- (2) ATD is not liable for any incidental damages, including but not limited to, lost profits and unforeseeable consequences.
- (3) The repair and replacement of this product under the express limited warranty described above is your exclusive remedy and is provided in lieu of all other warranties, express or implied. All other warranties, including implied warranties and warranties of merchantability or fitness for a particular purpose are disclaimed and, if disclaimer is prohibited, these warranties are limited to one year from your date of purchase of this product.

Some states' laws do not allow limited durations on certain implied warranties and some states' laws do not allow limitations on incidental or consequential damages. You should consult the law in your state to determine how your rights may vary.

ATD Tools, Inc.  
160 Enterprise Drive  
Wentzville, MO 63385  
Toll Free Service Number 1-844-364-9922  
Printed In China

